

CAUTION: Stop turning the crank handle as soon as the umbrella cover is completely open and the sleeve on the umbrella pole has reached its maximum height.

IMPORTANT: PRIOR TO USING THE TILT FEATURE.

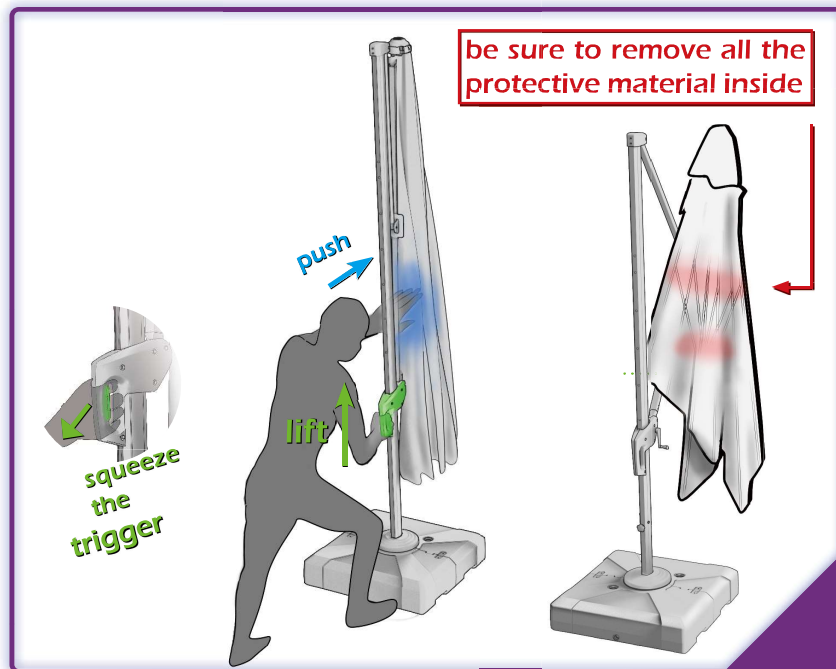
To avoid personal injury or damage to the umbrella, make sure the area behind you is clear and free from any furniture or structure.

3

Operation

To Open Canopy

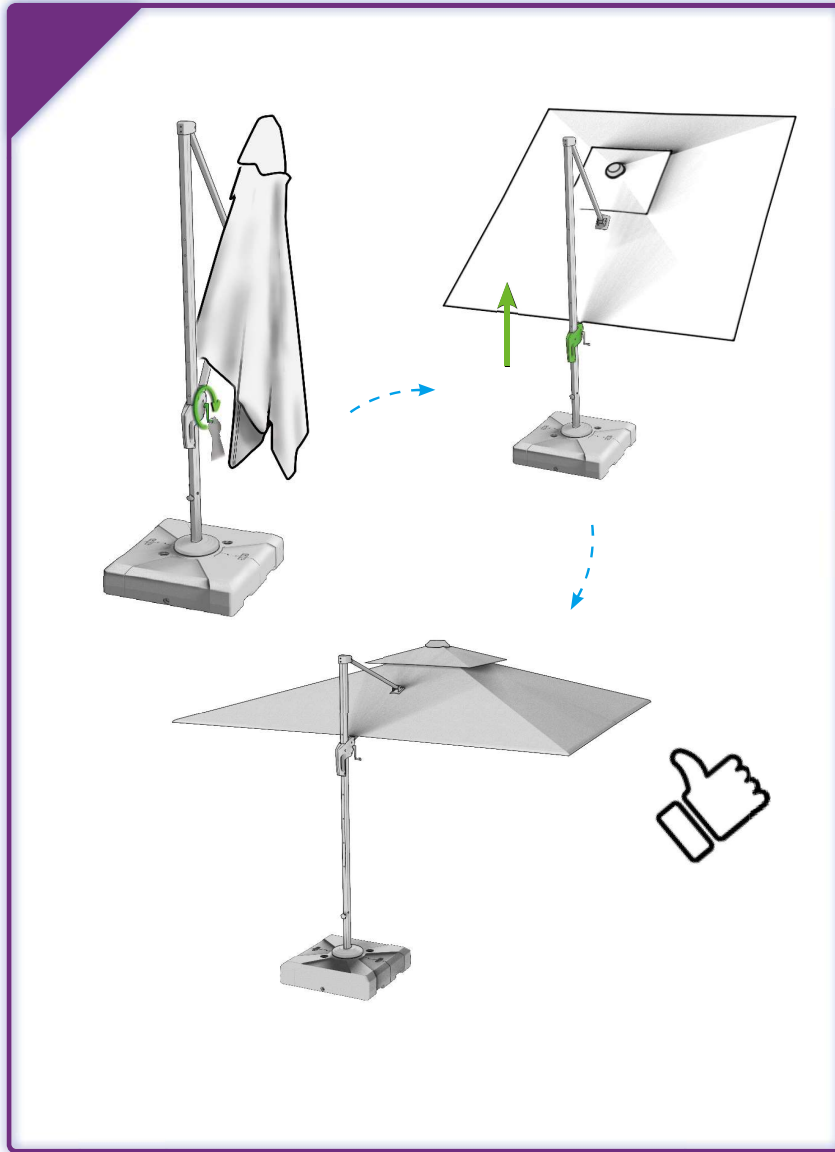
1. Slide the umbrella handle to the top of the pole by squeezing the trigger.
2. Insert the **hand crank(I)** into the small hole of the handle on the post.



Note: be sure to remove all tape, form or cardboard from the umbrella before opening.

Operation

3



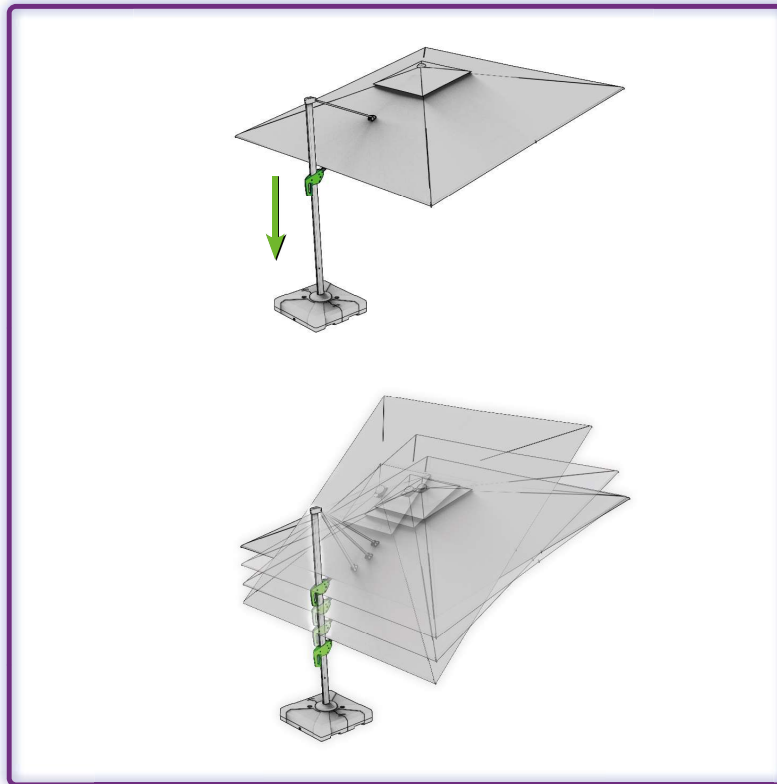
3

Operation

To Tilt Canopy

Press on the handle button and move the trigger handle up and down to adjust the angle of the umbrella canopy.

IMPORTANT: PRIOR TO USING THE TILT FEATURE. To avoid personal injury or damage to the umbrella, make sure the area behind you is clear and free from any furniture or structure.

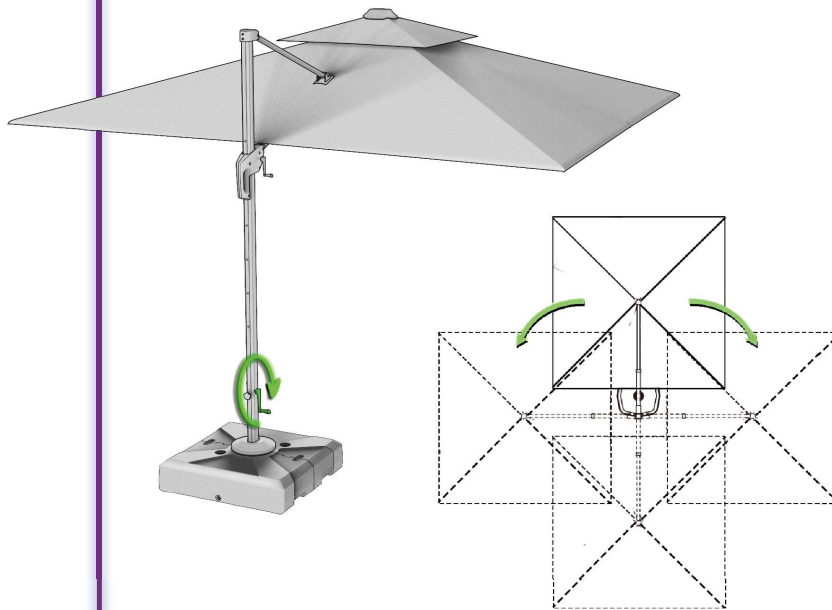


Operation

3

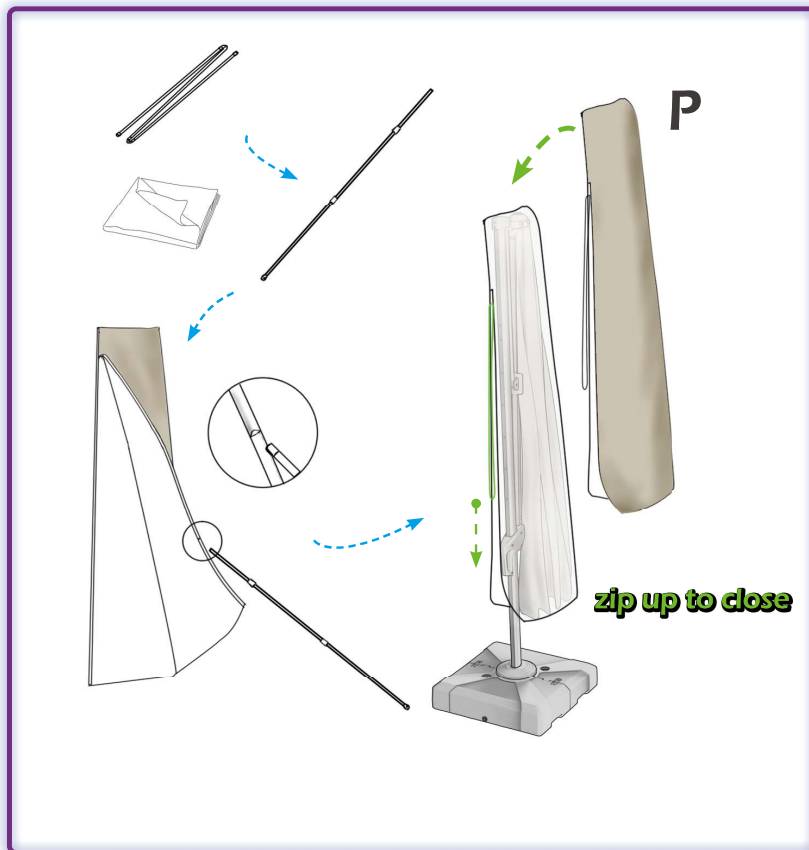
To Operate The 360° Rotation

Insert the **hand crank(I)** into the hole near the bottom of the umbrella, turn the crank to rotate it.



To Protect The Umbrella

1. Umbrella cover should only be used when umbrella fabric is completely dry.
2. Umbrella should be closed or stored indoors during windy conditions.
3. Do not use during windy or severe weather conditions.



4

Notification

SAFETY PRECAUTIONS

Close the umbrella in windy conditions or when a storm approach.

Never allow the umbrella to flap in the wind, this could damage the canopy.

Properly store umbrella when not in use. Close umbrella, and cover umbrella with provided protective cover.

Do not leave open umbrella unattended. If damage occurs, this is not covered by the warranty.

When adjusting the umbrella, make sure that no person(s) or item(s) are close to the umbrella. This is important to prevent injury or material damage.

This warranty does not cover the following items:

Failure caused by unreasonable or abusive use;

Failure caused by neglect of reasonable and necessary care;

Acts of nature (including but not limited to wind, hurricanes, tornadoes, and storms) are not covered by this warranty.