

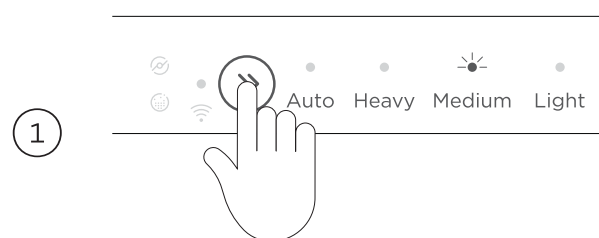
WASH PROGRAMS

Your DishDrawer™ Dishwasher has a number of wash programs designed to suit your needs. Selecting the most appropriate cycle for each load will help ensure the best wash results.

The Eco program is the most efficient program in terms of combined energy and water consumption. Loading the dishwasher to capacity will contribute to water and energy savings. Pre-rinsing of tableware items will increase water and energy consumption and is not recommended. Washing tableware with a household dishwasher usually consumes less energy and water than hand washing when used according to manufacturer's instructions.

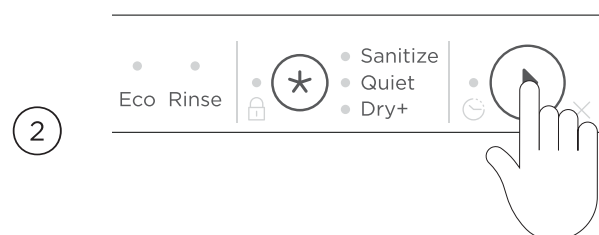
WASH PROGRAM	PROGRAM DESCRIPTION
AUTO	Suitable for any type of load. The dishwasher automatically selects the optimum wash program
HEAVY	Designed for heavily soiled pots, pans and dishes
MEDIUM	Best for dishes that are quite heavily soiled or to remove food soils that have been left to dry overnight
LIGHT	For very lightly soiled dishes with easy to remove soils; no drying
60MIN	Use for dishes that are quite heavily soiled or food soils that have been left to dry overnight; no drying
GLASSWARE	For lightly soiled and heat sensitive crockery and glassware such as wine glasses
ECO (default)	For normally soiled dishes for optimum water and energy use
RINSE	Prevents odours and soils from drying on dishes

Setting a wash program



Ensure DishDrawer™ Dishwasher is turned on and detergent has been added.

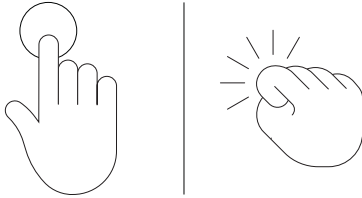
Press **▶▶** to scroll through the available wash programs, the selected wash program indicator will illuminate on the display.



Press **▶** to start the wash and close the drawer within 4 seconds.

WASH PROGRAMS

Pausing a wash program



Professional models

Press ►|| on the drawer door.

Integrated models

Knock on the door 2 times.

Canceling a wash program with the door open

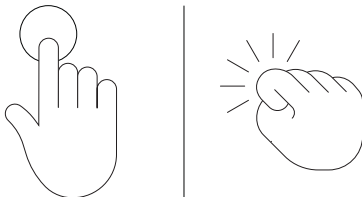


Press and hold ►.

If there is any water in the drawer, it will automatically drain before the DishDrawer™ Dishwasher turns off.

- Holding ► for too long may activate **DELAYED START**. The delay start indicator will flash and a tone will sound to signal this. Refer to 'Canceling Delayed Start' for details.

Canceling a wash program with the door closed



Professional models

Press ►|| on the drawer door. Open the drawer and press and hold ►.

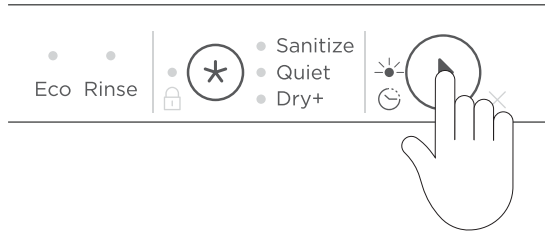
Integrated models

Knock twice to pause the current cycle. Open the drawer and press and hold ►.

DELAYED START

Set the DishDrawer™ Dishwasher to start later in the day, and run the selected wash program. **DELAYED START** can be set after a wash program has been selected and can be set for up to 12 hours.

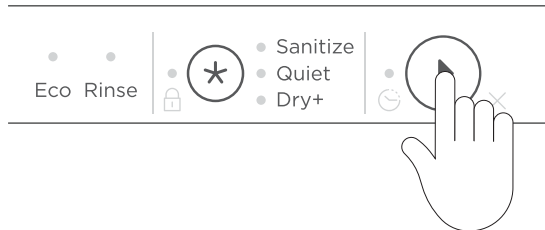
Setting Delayed Start



Press and hold ►, each tone indicates + 1 hour delay and can be set for up to 12 hours.

- If you scroll past 12 hours, the DishDrawer™ Dishwasher will exit **DELAYED START**.
- Countdown will begin when ► is released. The selected wash program will begin when countdown is complete, provided the drawer is closed.
- If the drawer is not closed within 4 seconds of setting DELAYED START, or the drawer is opened after it has been set, DELAYED START will be paused after closing the drawer. Press ► and close the drawer to resume.

Canceling Delayed Start



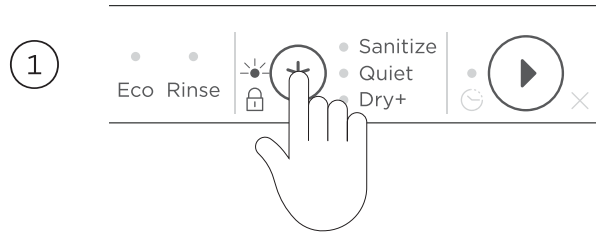
Press and hold ►.

If there is any water in the drawer, it will automatically drain before the DishDrawer™ Dishwasher turns off

KEYLOCK

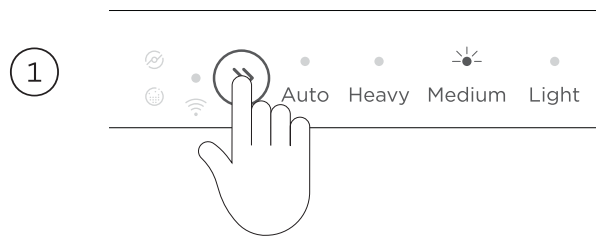
The DishDrawer™ Dishwasher can be locked for cleaning and to prevent unintended use. When the control panel is locked the controls will remain unresponsive. To lock the drawer, refer to 'Preferences'.

Lock DishDrawer™ Dishwasher



Open the drawer and press and hold ★ until a tone sounds and the lock indicator begins flashing.

Lock DishDrawer™ Dishwasher while washing



Select the desired wash program.



Press and hold ★ until a tone sounds and the lock indicator begins flashing.

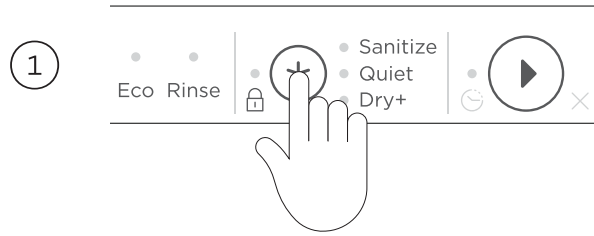


Press ► within 10 seconds and close the drawer to begin the wash.

- If a program is not started within 10 seconds, the control panel will lock and the wash program will not begin.

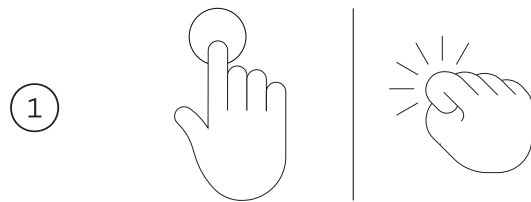
KEYLOCK

Unlock with drawer open



Press and hold ✪ until the lock indicator dims.

Unlock with drawer closed



Professional models

Press and hold the drawer button until a tone sounds.

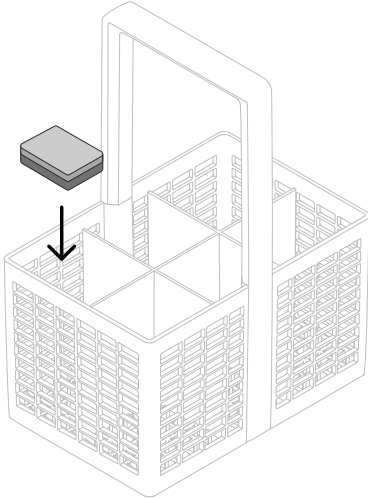
Integrated models

Knock on the door 3 times until a tone sounds.

DETERGENT

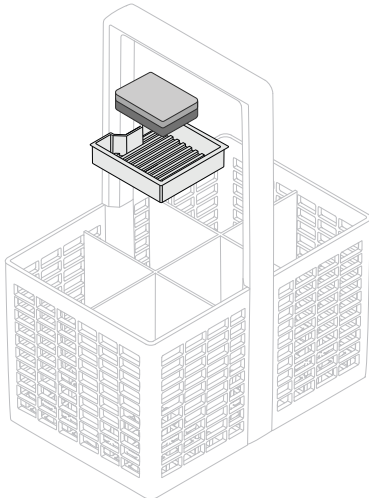
Using solid tablets or pouches

Using tablets could improve wash performance in hard water areas. Follow manufacturer guidance. Some tablets or pouches may not be suitable for all wash programs.



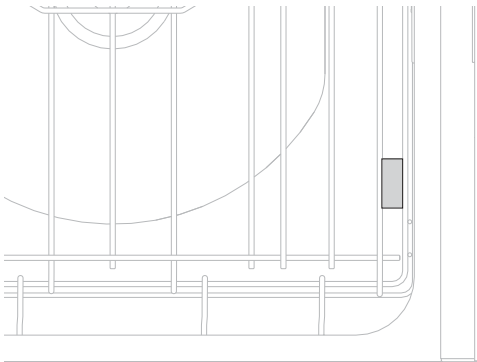
Place in cutlery basket

Place tablet or pouch in cutlery basket, ensuring it doesn't come in direct contact with dishes or cutlery.



Place on tablet tray

Place tablet or pouch on tablet tray in cutlery basket ensuring it doesn't come in direct contact with dishes or cutlery.



Place directly in tub

Place the tablet or pouch between the racking at the side as shown.

Do not place on the base of the drawer as it may interfere with the spray arm rotation and affect wash performance.